

1. Application 用途

- ◆ New energy, Industrial and so on

2. Features 特性

- ◆ High current and special design
- ◆ Compliant with IEC62368
- ◆ ≥98% Efficiency
- ◆ ROHS、Reach Compliant
- ◆ Operating Temperature Range: -40°C to +155°C

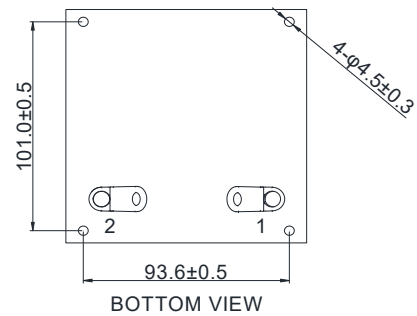
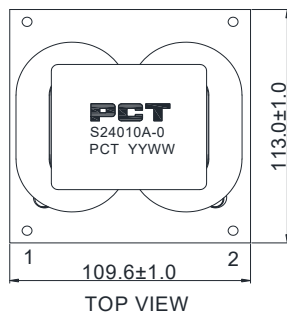
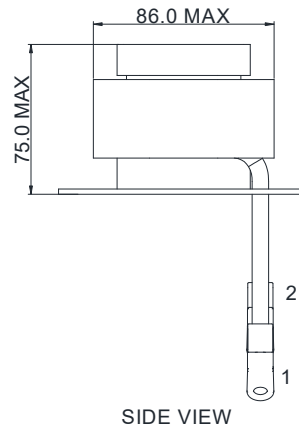
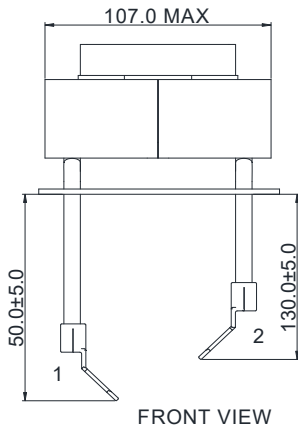
3. Picture 图片



4. Schematic 原理图



5. Dimension (Unit: mm) 外形尺寸



6. Electrical Characteristics 电气特性

Electrical Specifications@25°C

Part NO.	Inductance (uH)		Lk(uH)	Turns Ratio	DCR			HI-POT(VAC)
	100KHz,1V				(mΩ MAX)			
S24010A-0	1-2	/	1-2	N1	1-2	/	/	COIL-CORE
	68.0±15%		27.0 MIN	/	2.8	/	/	2000