

1. Application 用途

- ◆ Automotive DC-DC Inverter

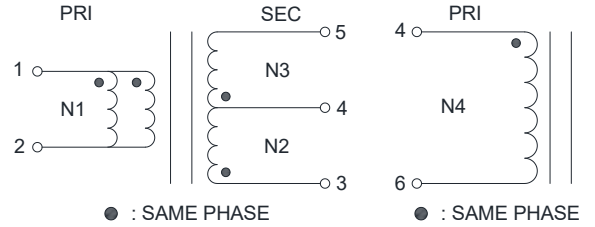
2. Features 特性

- ◆ Magnetic integration and flattened design
- ◆ Comply with AEC-Q200
- ◆ $\geq 98\%$ Efficiency
- ◆ ROHS、Reach Compliant
- ◆ Operating Temperature Range: -40°C to $+155^{\circ}\text{C}$

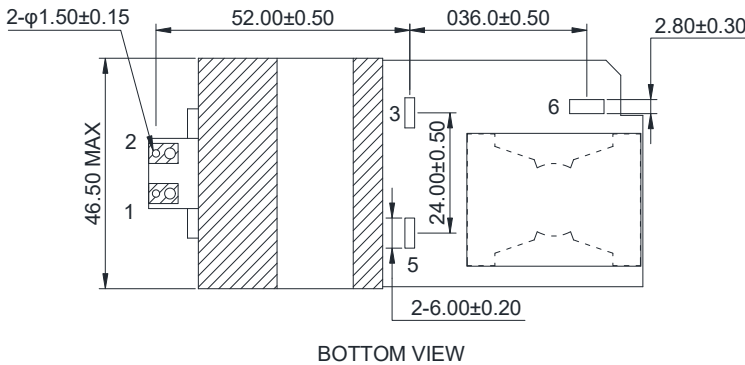
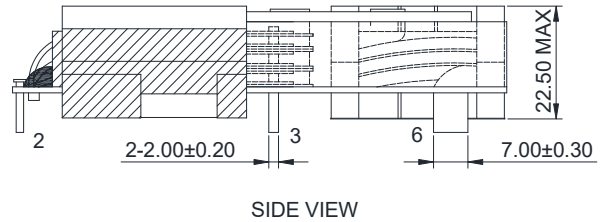
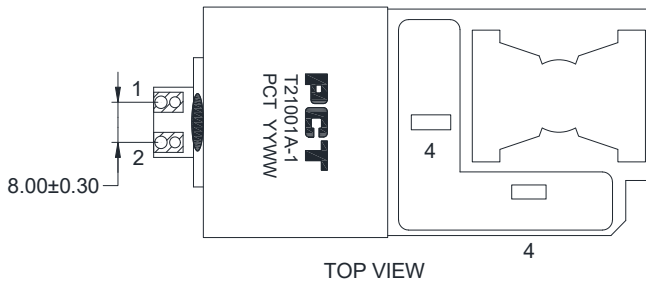
3. Picture 图片



4. Schematic 原理图



5. Dimension (Unit: mm) 外形尺寸



6. Electrical Characteristics 电气特性

Electrical Specifications@25°C

Part NO.	Output power(W)	Inductance (mH/uH)		Lk(uH) MAX	Turns Ratio	DCR				HI-POT(VAC)
		100KHz, 1V	100KHz, 1V			(mΩ MAX)				
T21001A-1	3000	1-2	4-6	1-2	N1:N2:N3	1-2	3-4	4-6	/	PRI -SEC
		1.0±0.12%	1.9~2.3	1.5	1:0.125:0.125	23.0	0.5	0.65	/	3000