

1. Application 用途

- ◆ Automotive Resonant Inductor

2. Features 特性

- ◆ Through hole design
- ◆ Comply with AEC-Q200
- ◆ ≥98% Efficiency
- ◆ ROHS、Reach Compliant
- ◆ Operating Temperature Range: -40°C to +155°C

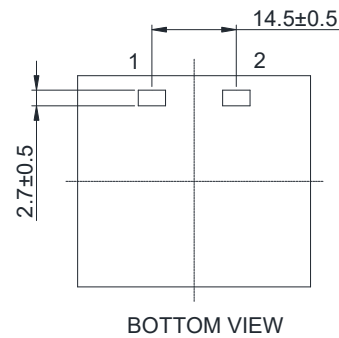
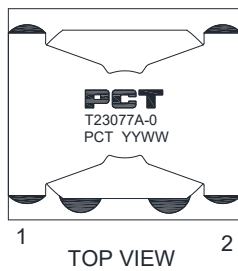
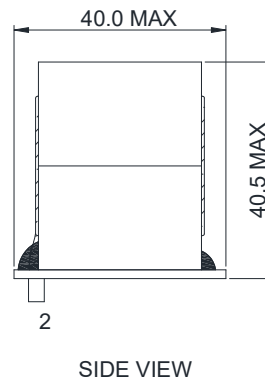
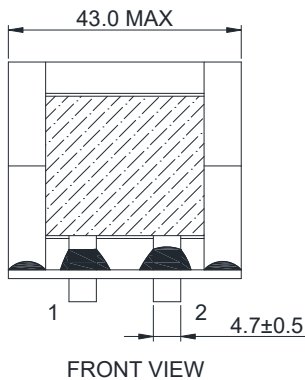
3. Picture 图片



4. Schematic 原理图



5. Dimension (Unit: mm) 外形尺寸



6. Electrical Characteristics 电气特性

Electrical Specifications@25°C									
Part NO.	Inductance (uH) 100KHz,1V		Lk(uH) 100KHz,1V	Turns Ratio 20KHz,1V	DCR (mΩ MAX)			HI-POT(VAC) 5mA/60S	
T23077A-0	1-2	/	/	N1	1-2	/	/	/	COIL- CORE
	6.0±10%	/	/	/	2.5	/	/	/	1500