

1. Application 用途

- ◆ Automotive, Industrial, New energy and so on

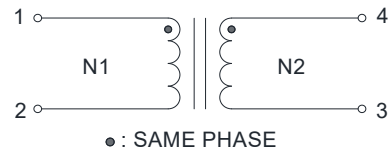
2. Features 特性

- ◆ Through hole design
- ◆ Comply with AEC-Q200, IEC62368
- ◆ ≥98% Efficiency
- ◆ ROHS、Reach Compliant
- ◆ Operating Temperature Range: -40°C to +155°C

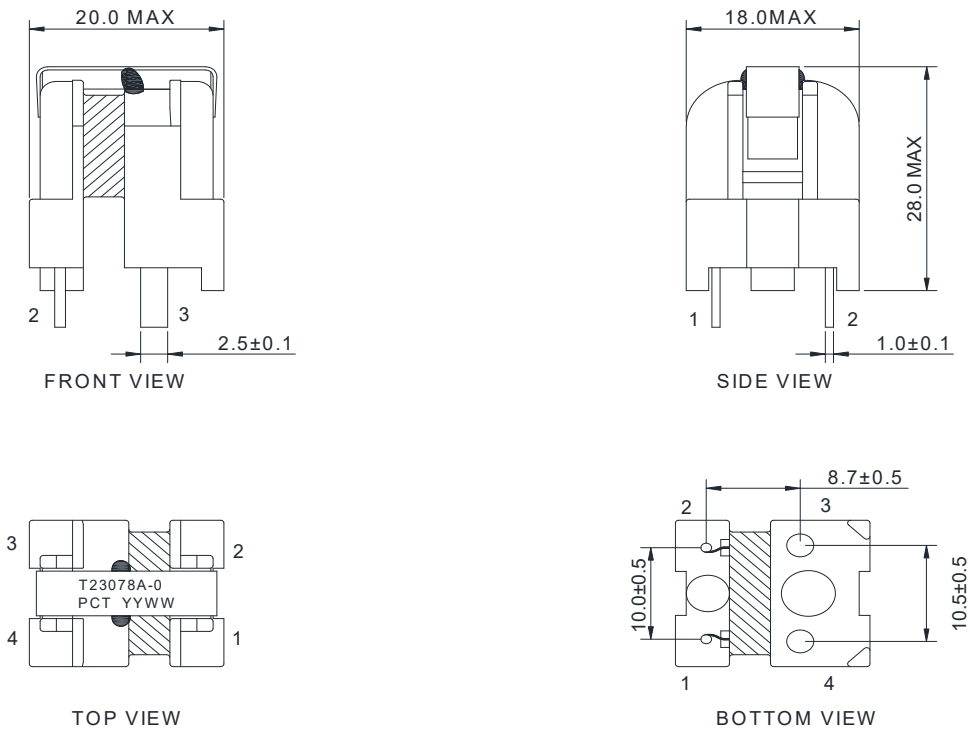
3. Picture 图片



4. Schematic 原理图



5. Dimension (Unit: mm) 外形尺寸



6. Electrical Characteristics 电气特性

Electrical Specifications@25°C

Part NO.	Inductance (mH)		Primary Current(A)	Turns Ratio	DCR				HI-POT(VAC)
	10KHz,0.25V				(mΩ MAX)				
T23078A-0	1-2	/	/	N1:N2	1-2	4-3	/	/	N1-N2
	300.0 MIN	/	50	400:1	15.0	0.24	/	/	3000